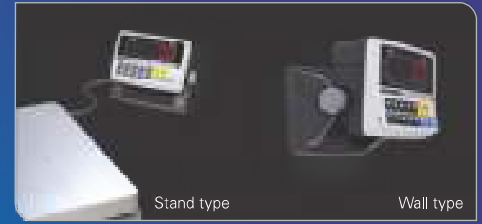


Numeric & function keys



Stand type

Wall type

Multi-purpose cradle

# CI-200A SERIES

## Weighing Indicator

Applicable for various weighing applications, with the added flexibility of manually setting functions via numeric keys. With various power supply options, the CI-200A series is highly portable and ideal for environments where power outlets are not available or power outages often occur.



▲ CI-201A with optional pole bracket



**CAS**

# CI-200A

## SPECIFICATIONS

Model	CI-200A(LED)	CI-201A(LCD)
Load cell input voltage	DC 5V	
Load cell connection(350ohm)	8 ea	
Zero calibration	0~2 mV/V	
Input sensitivity	Over 2 $\mu$ V/D	
A/D Internal resolution	1/520,000	
A/D External resolution	1/10,000	
A/D Conversion speed	80 times/sec	
Battery life (*standby / continuous usage)	Approx. 120/33 hours	Approx. 180/25 hours
Battery charging time	Approx.12 hours(for full recharge)	
Key	10 numeric keys & 5 function keys	
Display	6 Segment 1 inch LED	6 digit (with LED backlight)
Power	DC 12V Adaptor & 6V rechargeable Pb Battery AA size dry battery x 6 [ Option ]	
Operating Temp.	-10 °C ~ 40 °C	
Dimension (WxDxH/mm)	206 x 92 x 139	
Product weight	Approx. 0.5 kg	
Interface	Standard	RS-232C
	Option	RS-422, RS-485

## FEATURES

- Simple and prompt full digital calibration
- High A/D conversion speed (80 times/sec)
- High resolution 1/10,000
- Multi-calibration
- Weight back-up function
- Weight Comparison: Hi, Low, OK (only LCD)
- Numeric keys & function keys
- Various power supplies [DC adaptor, Rechargeable battery or AA size dry battery x 6 (option)]
- 4 & 6 wire load cell support
- 2 serial ports
  - Standard: 1 port
  - Option: 1 additional port (for PC, Printer, Remote display communication, etc)
- Multi-purpose cradle
- Interface
  - Standard: RS-232C
  - Option: RS-422, RS-485

## OPTIONS

- Pole bracket
- Dry battery holder
- 1 additional serial port
- Remote display
- Printer (DLP-50, DEP-50)
- RS-422/RS-485 Interface

# CAS

CAS BLDG., # 440-1, SUNGNAE-DONG,  
GANGDONG-GU, SEOUL, KOREA

TEL\_82 2 2225 3500

FAX\_82 2 475 4668

<http://www.globalcas.com>

Specifications are subject to change for improvement without prior notice.

## Numeric keys and 5 function keys

### 1) Set functions using numeric keys

You can easily input numerals to set the functions of the CI-200A series indicator using the numeric keys.

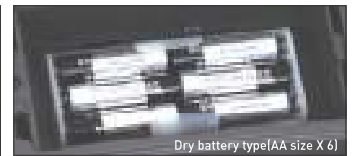
### 2) Short cut keys

With short cut keys (F1 & F2), you are able to switch quickly and easily to your preferred or mostly commonly used functions.



## Various power supplies

- The CI-200A series can be operated with a DC adaptor, rechargeable battery or dry battery (option). The ability to use a rechargeable battery or dry battery increases portability and allows the indicator to be used in environments where little or no power is available.



## Multi-Purpose Cradle(MPC)™ system

- The all-in-one Multi-Purpose Cradle (MPC) enhances usability in various locations. Whether left free standing or mounted to a wall, the indicator is able to be tilted for easy viewing.



Stand type

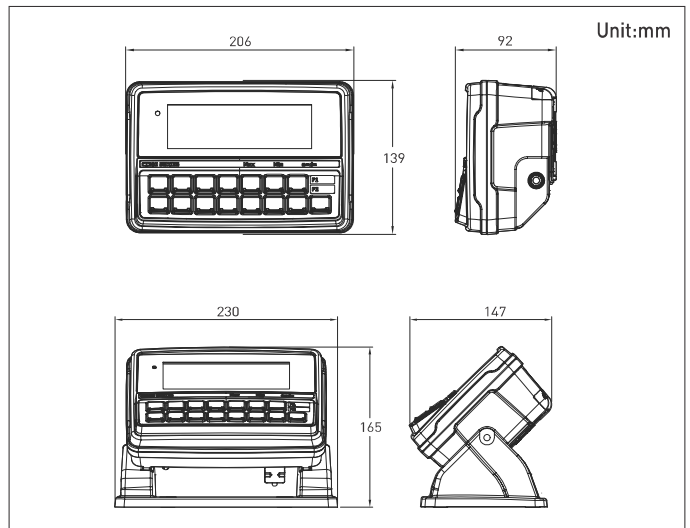


Wall type



Tilting

## DIMENSIONS



Unit:mm