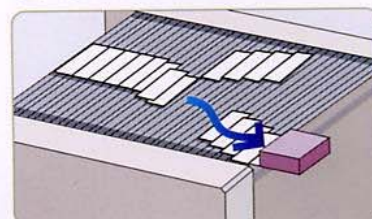


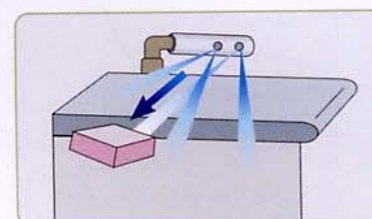
FAC5300-W313



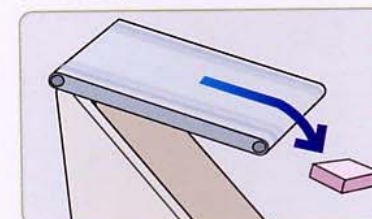
R313/R323 Slide Carrier



R413 Air Jet



R713 Drop Belt

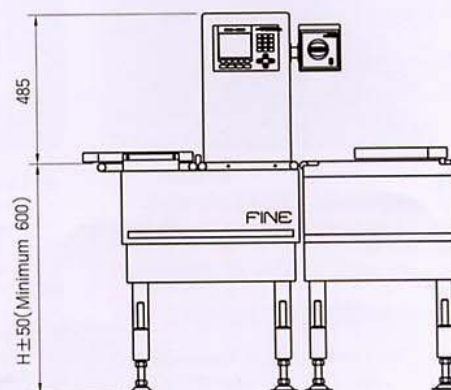
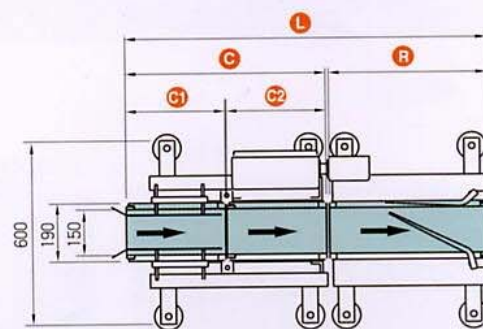


Specification

Model	FAC5300 - W313	
Max.Capacity	600g	
Weigh Range	4 ~ 600g	
Optimum Accuracy ^(*)	± 0.2g	
Digit	0.1g	
Max. Weigh Speed ^(*)	230ea/min.	180ea/min.
Belt Speed	34 ~ 90m/min	
Product Dimension	Width	30 ~ 150mm
	Length	30 ~ 210mm
	Height	10 ~ 150mm
Zero Adjustment	Running : Auto ZERO Tracking Stopping : ZERO Key	
Item Memory	Max. 50 items	
Printer(Optional)	FS-6026	
Main Body Weight	Aprox. 110kg	
Applicable Rejectors	R213 Flip Bar R313 Slide Carrier R413 Air Jet R713 Drop Belt	

* Optimum Accuracy can be different according to the product conditions.
* Max.Weighing Speed can be different according to the product dimension and Conveyor Speed.

Dimension * Flip Bar Rejector Application (Unit:mm)



- C1 320/380/440mm
- C2 320/380/440mm
- C C1 + C2 + 5mm
- R 500/560mm
- L C + R + 10mm