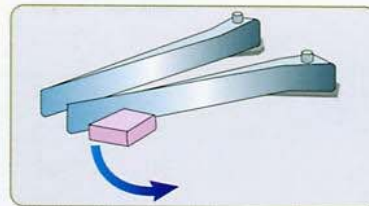


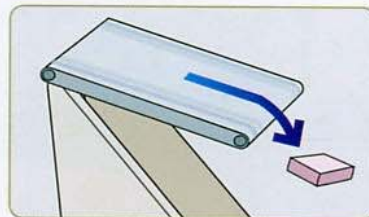
FAC5300-W323



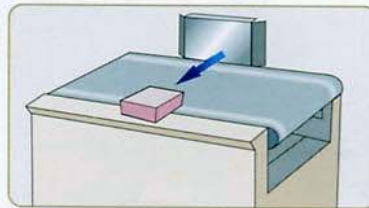
R213/ 223 Flip Bar



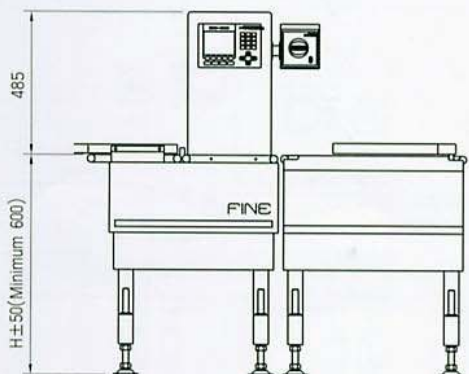
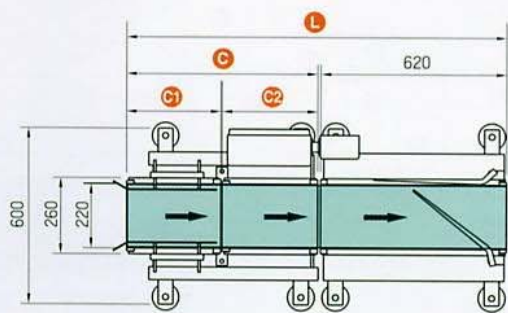
R723 Drop Belt



R523 Pusher on Belt



Dimension * Flip Bar Rejector Application (Unit:mm)



- C1 320/380/440mm C C1 + C2 + 5mm
- C2 320/380/440mm L C + 620 + 10mm

Specification

Model		FAC5300 - W323	
Max.Capacity		1,200g	
Weigh Range		8 ~ 1,200g	
Optimum Accuracy*		±0.4g	
Digit		0.2g	
Max. Weigh Speed*		195ea/min.	170ea/min.
Belt Speed		18 ~ 76M/min.	
Product Dimension	Width	30 ~ 220mm	30 ~ 220mm
	Length	30 ~ 300mm	30 ~ 360mm
	Height	10 ~ 220mm	10 ~ 220mm
Zero Adjustment		Running : Auto ZERO Tracking Stopping : ZERO Key	
Item Memory		Max. 50 items	
Printer(Optional)		Option	
Main Body Weight		Aprox. 125kg	
Applicable Rejectors		R223 Flip Bar R313/R323 Slide Carrier R423 Air Jet R523 Pusher on Belt R723 Drop Belt	

* Optimum Accuracy can be different according to the product conditions.
* Max.Weighing Speed can be different according to the product dimension and Conveyor Speed.