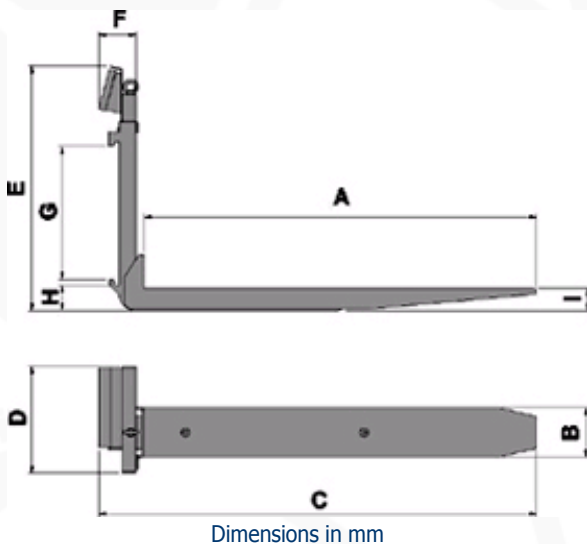


LTF "PROFESSIONAL" SERIES WEIGHING KIT FOR LIFT TRUCK FORKS



LTF: pair of weighing forks.
Indicator for mounting in the cabin, with optional printer.



	A	B	C	D	E	F	G	H	I
LTF25AR	1160	150	1300	315	720	110	382	76	65
LTF25BR	1160	150	1300	315	800	110	382	152	65
LTF50AR	1160	150	1300	365	932	110	477	76	80

Pair of weighing forks for lift trucks with FEM2A (up to 2500 kg) or FEM3A (up to 5000 kg) plates. Very easy to install, not entailing any reduction of the lift truck capacity. Fitted with indicator for mounting in the cabin. Available with radio frequency connection (LTFRF version) between indicator in cabin and indicator on the forks.

MAIN FEATURES

- Weight indicator **in cabin** with 17-key numerical/functional waterproof keypad, LCD display with 6 high contrast 25-mm digits and easy to clean **Waterproof IP65 ABS** case resistant to harsh and corrosive environments.
- Second weight indicator (for LTFRF models), **attached to the forks**, with 4-key numerical/functional waterproof keypad, LCD display with 6 high contrast 25-mm digits and IP65 stainless steel case.
- Structure of the forks in painted steel.
- Each fork weighs 75 kg (LTF25 and LTFRF25) and 90 kg (LTF50 and LTFRF50).
- Functions with 4 shear-beam IP67 load cells
- Accuracy: +/- 0.1% of the capacity
- Max. allowable overload: 300% of the nominal capacity.
- Max. horizontal inclination (flexibility): +/- 2° with the same precision features.
- Digital calibration and set-up through keyboard or PC with DINITOOLS.
- Power supply through rechargeable battery; 40-hour approximate operating time.
- Programmable auto power saving function.
- Equipped with battery charger.
- Bi-directional RS232/C port for connection to printer
- 868MHz radiofrequency connection between the weighing forks and the indicator in cabin (for LTFRF models).

MAIN FUNCTIONS

- **SELECTABLE:** Weights accumulation, Counting (Max. resolution of 1.500.000 divisions), Percentage weigh, Formulation, Tolerance Control, Set Point Control, Input/Output, x 10 high resolution visualisation, Net/Gross, or lb/kg conversion.
- **KEYBOARD:** clearing, automatic tare, presettable tare, print and/or data transmission, selectable function command, on/off.
- **PRINTING:** customisable print layout.

DESCRIPTION OF THE VERSIONS

- The **LTF** version is made up of:
 - Indicator in cabin.
 - Weighing forks with integrated junction box.
 - Connection cable between indicator in cabin and weighing forks.
- The **LTFRF** version is made up of:
 - Indicator in cabin with integrated radio module.
 - Weighing forks with integrated weight indicator, and fitted with radio module; autonomous power supply through rechargeable battery.
 - Radio frequency connection between indicator in cabin and indicator on the forks.

OPTIONS ONLY AVAILABLE AT TIME OF ORDER

- Thermal printer option box
- Modem radio or WI-FI interface for PC connection (not available for LTFRF models).
- Alibi memory with time/date
- Time/Date
- 2 inputs + 2 outputs configurable on gross or net weight

Available versions

Code	Plate	Max Capacity kg	Division kg
LTF25AR	FEM2A	500 / 1000 / 2500	0,5 / 1 / 2
LTF25BR	FEM2B	500 / 1000 / 2500	0,5 / 1 / 2
LTF50AR	FEM3A	5000	5
LTFRF25AR	FEM2A	500 / 1000 / 2500	0,5 / 1 / 2
LTFRF25BR	FEM2B	500 / 1000 / 2500	0,5 / 1 / 2
LTFRF50AR	FEM3A	5000	5

Options only available at time of order

Code	Description
OBTPRP	Attached thermal printer in ABS option box for ...XP indicators with 50mm/sec speed, 203 dpi resolution, 24/40 columns, 58 mm paper width; 50 mm Roll diameter.
OBMDP	Attached thermal printer and memory data printer (fitted with a memory card) in ABS option box for ...XP indicators
OBMMC	Attached Memory Data Printer option box with memory card for easy storage and transfer of the weighs to any Personal Computer (complete of memory card); mounted attached to the indicators with ABS case
RFITR	Integrated radio interface for crane scale/pallet truck scale , complete of RS232 port. Max. functioning distance in appropriate conditions: 70m indoors, 150m outdoors. Up to 50 configurable channels (must be combined with another radio modem)
OBRFUSB	868MHz radio frequency module for PC with USB input, selfpowered, connectable to USB ports. Fitted with USB connection cable. Max. functioning distance in appropriate conditions: 70m indoor, 150m outdoor. 50 available channels, easily programmable from the PC.
DFCLK	Real Time Clock (Time/date)
DFIO	Module of 2 optoisolated digital inputs + 2 Photomosfet outputs usable as programmable weight threshold setpoints (not combinable with alibi memory ALMEM)
ALMEM	Alibi memory (fiscal memory) with time/date; max. 120.000 weighs
WIFIT	WI-FI interface for wireless connection (through access point) to the company computer system.

Accessories

Code	Description
DGT60BC	Weight Indicator-Repeater with 60mm LED display, 2 inputs, 2 outputs, 1 RS232 bidirectional port and 1 RS485 bidirectional port, with 110-240 Vac internal power adapter
UKPLUG	Power adapter from Schuko to BS1363.
TECMAN	Printed technical manual (free, if downloaded from the web) NET PRICE
UMAN	Printed user manual (free, if downloaded from the web) NET PRICE

ADVANTAGES OF THE LTFRF MODEL

The LTFRF version eliminates the cable connection between the indicator in cabin and weighing forks, simplifying considerably the system installation and eliminating the risk of damaging the cables during the work manouevres.

The system is made up of:

- weighing forks, fitted with a 4-key attached indicator, radio frequency module, and autonomous rechargeable battery.
- 17-key indicator for mounting in cabin, complete of integrated radio frequency module and autonomous rechargeable battery.

The indicator in cabin receives the weight through radio frequency and eases the weighing operations, and can be integrated with an attached thermal printer and memory card for saving the weighs.

The indicator attached to the forks is automatically configured as a weight transmitter if the indicator in the cabin is turned on, or as a multifunction weight indicator if the indicator in the cabin is turned off.

This feature makes this system particularly versatile, because in case of damage to the lift truck, the forks, fitted with an attached indicator, could be quickly installed on the replacement lift truck and the system can weigh without installing the indicator in the cabin.

The autonomy of the system is about 40 hours.

