

# X320



# designed and built to last in harsh environments



The X320 combines innovation in industrial design and engineering excellence to create a product that is ideal for use in heavy wash down applications and rugged environments.

- Food processing
- Automotive
- Chemical
- Pharmaceutical applications
- Applications that require reliable operation in harsh environmental conditions

(and nothing gets in!)

Rated to IP69K - the industry's highest environmental protection rating. Meaning the X320 has been designed to withstand cleaning with high pressure water jets (1450psi) at high temperature (up to 80°C) from multiple angles.

Tough enclosure - the X320 is made of an impact resistant composite alloy and designed to withstand knocks.



X320 with optional pole mount.

(exceptional housing)



## What makes this housing exceptional?

The design - sealed and tough

- Double O ring to seal the two clams
- Single front panel to protect the display and avoid leaks
- Capacitive keys therefore no moving parts
- No glued membrane to fail
- No traditional keypad to damage
- No external parts using adhesive
- Sturdy design with enhanced wall strength

The material - high tech composite alloy

- Food grade
- Chemical resistant
- Impact resistant



The **X320** indicator builds on Rinstrum's already successful **R320** IP65 indicator. It provides:

- General purpose weighing functions;
- Clear highly visible display - 20mm LCD display with LED backlight
- Customise - Programmable function key and configurable printing
- Versatile power options - AC, DC and rechargeable NiMH battery options
- Built-in check weigh function - low and 3 coloured high intensity status LEDs
- Isolated outputs - Over, Under, Pass. High side driver up to 400mA, allowing for example, direct connection to PLCs and for external actuators to be driven directly
- Built-in RS232 communications port
- Flexible mounting options - stainless steel desk/wall mount and pole mount

The use of a capacitive keyboard allows the front panel to be constructed as a single piece. The **X320** keypad senses an operator's finger, whether gloved or not, from the inside of the enclosure. There are no moving parts to wear out, no glue to deteriorate and no keypad tails to fail due to vibration or corrosion. The strength of the single front fascia increases the durability of the instrument, protecting the LCD and electronics from external impacts.

## easy transfer of setup

The magnetically coupled opto-link on the front panel provides a convenient temporary connection to a laptop for:

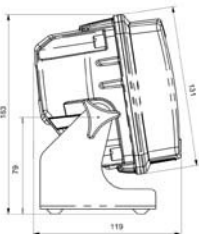
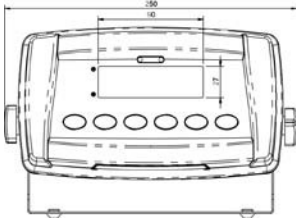
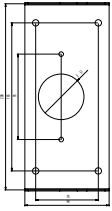
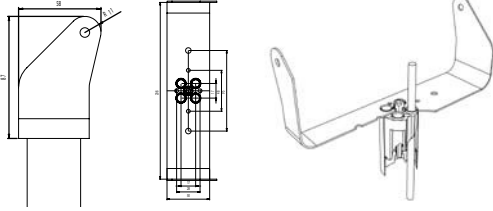
- Transfer of setup and calibration information
- Download of software upgrades

No need to access rear of the indicator.



**X320**  
THAT'S WEIGHING SMART

Performance		
Resolution	Up to 30,000 divisions, minimum of 0.25µV/division, 20 updates/second	
Zero Cancellation	+/- 2.0mV/V	
Span Adjustment	0.1mV/V to 3.0mV/V full scale	
Excitation	5V for up to 4 x 350 or 8 x 700 ohm load cells (4-wire or 6-wire plus shield) Maximum total load cell resistance: 3,500 ohms	
A/D Type	24bit Sigma Delta with 8,388,608 internal counts	
Operating Environment	Temperature: -10 to +50°C ambient Humidity: 100% Storage: -20 to +50°C ambient IP69K and IP68	
Display		
Display	LED Backlit LCD with six 20mm high digits with units and annunciators	
Setup and Calibration	Full digital with visual prompting in plain messages	
Digital Filter	Sliding window average from 0.1 to 4.0 seconds	
Zero Range	Adjustable from +/- 2% to +/- 20% of full capacity	
Power Input		
Standard Power Input	12 to 24VDC, 9.6, 12 and 24V batteries (2.5 VA max) – ON/OFF key with memory feature	
Variants	AC	AC Power supply: 110/240VAC 50/60Hz in 12VDC 1.2A out
	Battery	12V battery pack (rechargeable NiMH)
Features		
Optical Data Communications	Magnetically coupled infra-red communications. Conversion cables available for RS-232 or USB	
Correction	Ten point linearity correction	
Serial Outputs	RS-232 automatic transmit, network or printer outputs. Transmission rate: 2400, 4800 or 9600 baud	
Assignable Function Key	1	
Input/Outputs	3 Outputs - isolated transistor drive outputs (400mA total at 50VDC)	
Battery Backed Clock Calendar	Battery life 10 years minimum	
Functions	Unit switching, counting, manual hold, peak hold, live weight and totalising Check weighing – low, pass, high (3 colour status high intensity LEDs) Configurable print format	
Setpoints	3	
Remote Input (Shared with Comms Port)	1	
Case Materials	PC+Polyester alloy, PBT, Silicon Rubber, SS304 Stand	
Packing Weights	Basic Indicator: 2kg	
Optional Mountings	Stainless steel desk/wall mount. Stainless steel pole mount	

Weight Indicator	Dimensions in mm (1 inch = 25.4 mm)	Mounting Options	
Side View	Front View	Desk/Wall Mount	Pole/Wall Mount
			



**Australian Sales Office**  
41 Success Street  
Acacia Ridge  
Queensland 4110 Australia

Phone +61 7 3216 7166  
Fax +61 7 3216 6211  
Email: sales@rinstrum.com

**European Sales Office**  
Rinstrum Europe GmbH  
Donnersberggring 14 – 18  
64295 Darmstadt

Phone: +49(0)6151-13617-0  
Fax: +49(0)6151-13617-29  
Email: info@rinstrum.de

**Distributed By:-**



**Weightronic Technology Ltd.**

G/F., 34 Nam Cheong Street,  
Sham Shui Po., Kln., Hong Kong.  
Tel: (852) 2381 8818 Fax: (852) 2391 9919  
Email: sales@weightronic.com  
[http:// www.weightronic.com](http://www.weightronic.com)